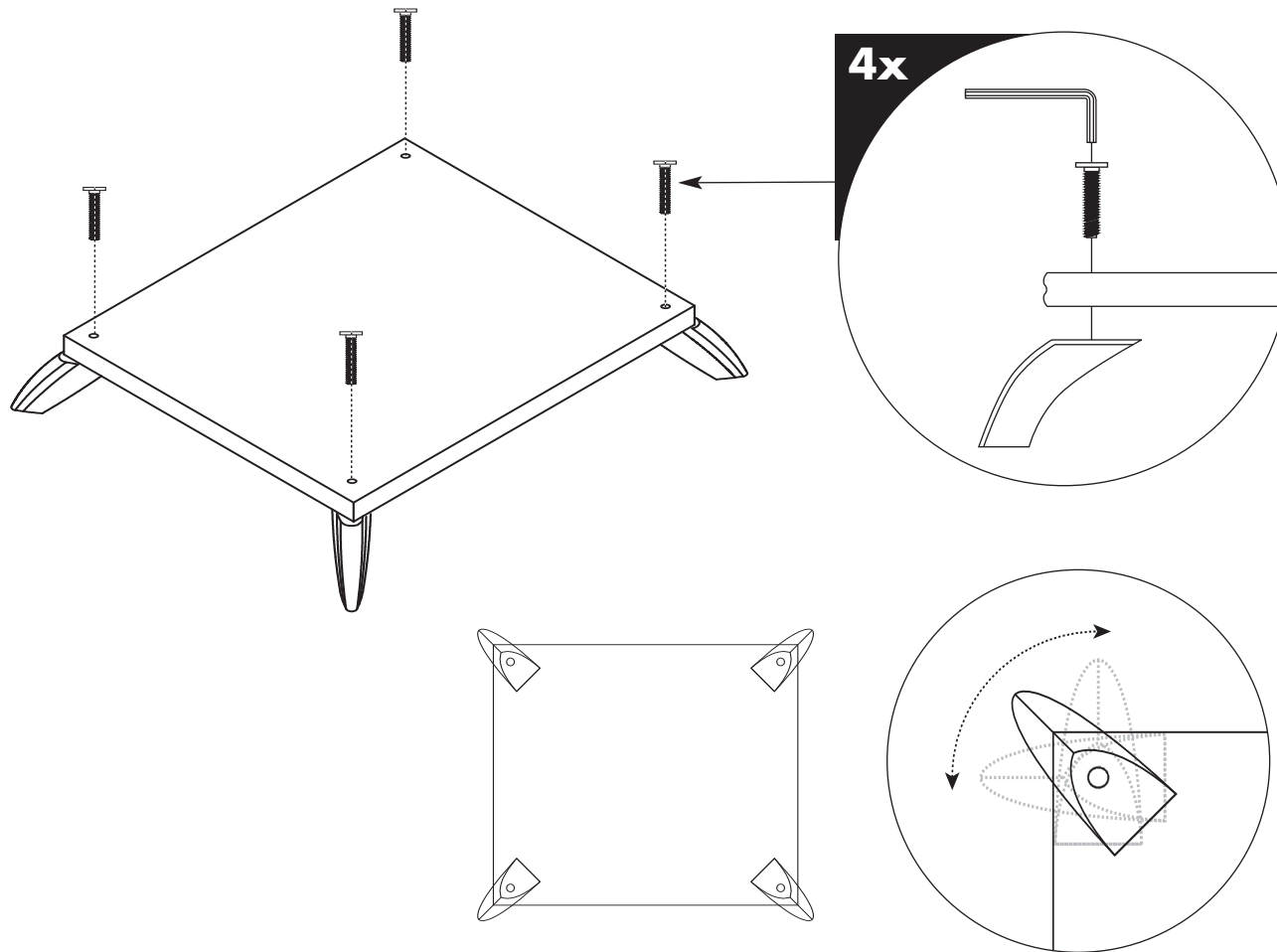


AMP STAND ASSEMBLY



1. Attaching Feet

- A** Slip a bolt through the bottom shelf and into each foot.
- B** Tighten using the provided hex wrench. Don't tighten completely until feet are angled in appropriate direction (Step 2).

2. Adjust Feet Angles

The polished feet can be arranged in a variety of angles and orientations. The recommended setup for maximum stability is for all feet to point out in a 45° direction to the bottom shelf. However the feet can be arched in through a 90° range of motion. Be sure to tighten bolts completely when finished.

Limited Warranty



For five full years Salamander Designs Ltd will repair or replace, at our option, any product defective in materials or craftsmanship. Salamander Designs Ltd. will not be responsible for any damage to or destruction of other equipment consequential to our equipment failure. Defective product must be given Return Authorization and is to be returned to the factory prepaid, in the original carton and packing material. Any damage incurred in a shipment not in original packaging shall be the responsibility of the owner. Warranty repairs will be returned prepaid, via UPS within the continental U.S.A. only.

Salamander Designs Ltd. 800-535-5659 • www.salamanderdesigns.com